

Dell™ PowerEdge™  
R815 Systems

# Getting Started With Your System

系统使用入门

Memulai Dengan Sistem Anda

はじめに

시스템시작하기





Dell™ PowerEdge™  
R815 Systems

Getting Started  
With Your System

Regulatory Model E05S series



# Notes, Cautions, and Warnings



**NOTE:** A NOTE indicates important information that helps you make better use of your computer.



**CAUTION:** A CAUTION indicates potential damage to hardware or loss of data if instructions are not followed.



**WARNING:** A WARNING indicates a potential for property damage, personal injury, or death.

---

**Information in this document is subject to change without notice.**

© 2009 Dell Inc. All rights reserved.

Reproduction of these materials in any manner whatsoever without the written permission of Dell Inc. is strictly forbidden.

Trademarks used in this text: *Dell*, the *DELL* logo, and *PowerEdge* are trademarks of Dell Inc.; *AMD*, *AMD Opteron*, and combinations thereof are trademarks of Advanced Micro Devices, Inc.; *Microsoft*, *Hyper-V*, *Windows*, and *Windows Server* are either trademarks or registered trademarks of Microsoft Corporation in the United States and/or other countries; *SUSE* is a registered trademark of Novell, Inc., in the United States and other countries; *VMware* is a registered trademark of VMware, Inc. in the United States and/or other jurisdictions; *Citrix* and *XenServer* are trademarks of Citrix Systems, Inc. and/or more of its subsidiaries, and may be registered in the United States Patent and Trademark Office and in other countries.

Other trademarks and trade names may be used in this document to refer to either the entities claiming the marks and names or their products. Dell Inc. disclaims any proprietary interest in trademarks and trade names other than its own.


Regulatory Model E05S series

November 2009

P/N HC3PJ

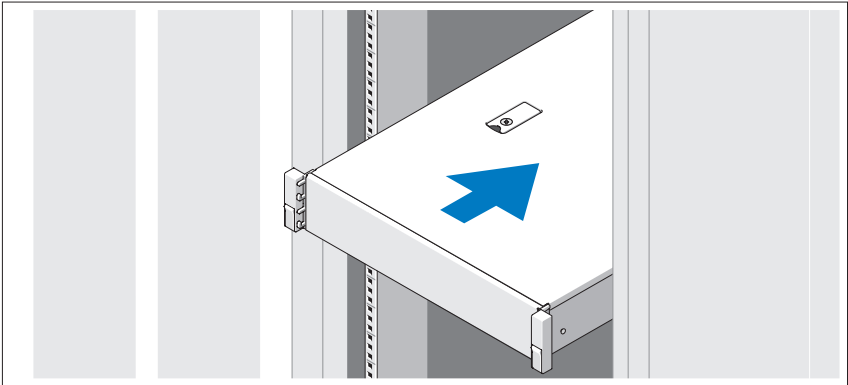
Rev. A00

# Installation and Configuration

 **WARNING:** Before performing the following procedure, review the safety instructions that came with the system.

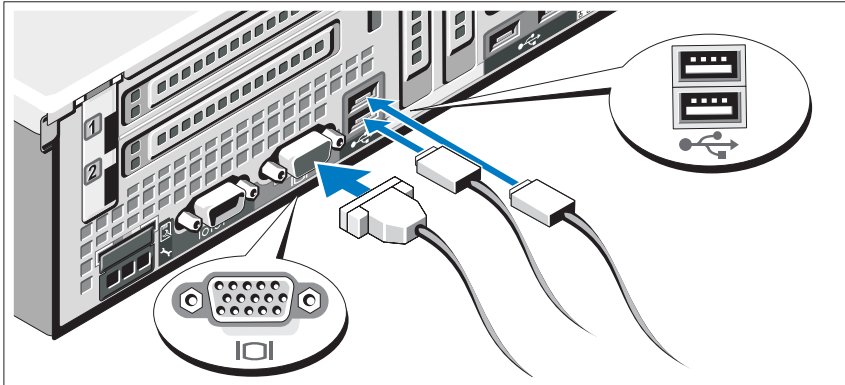
## Unpacking the System

Unpack your system and identify each item.



Assemble the rails and install the system in the rack following the safety instructions and the rack installation instructions provided with your system.

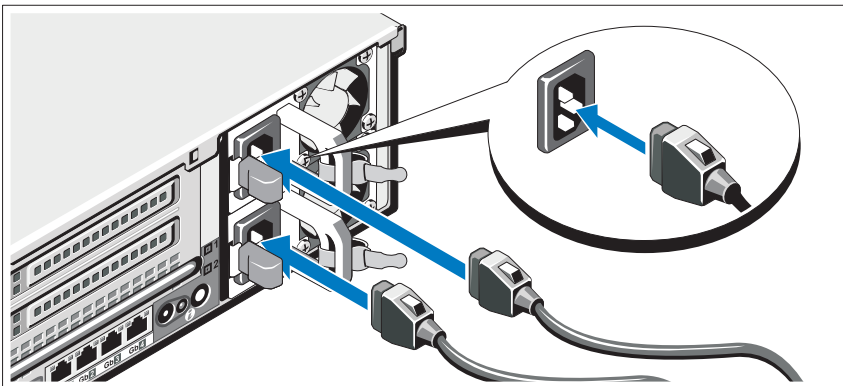
## Optional – Connecting the Keyboard, Mouse, and Monitor



Connect the keyboard, mouse, and monitor (optional).

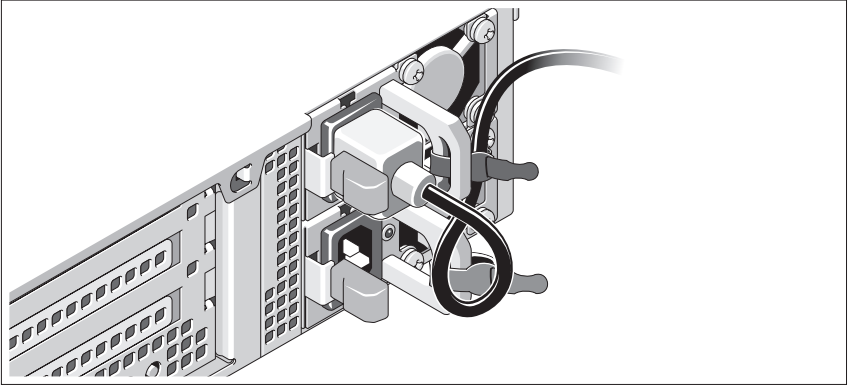
The connectors on the back of your system have icons indicating which cable to plug into each connector. Be sure to tighten the screws (if any) on the monitor's cable connector.

## Connecting the Power Cable(s)



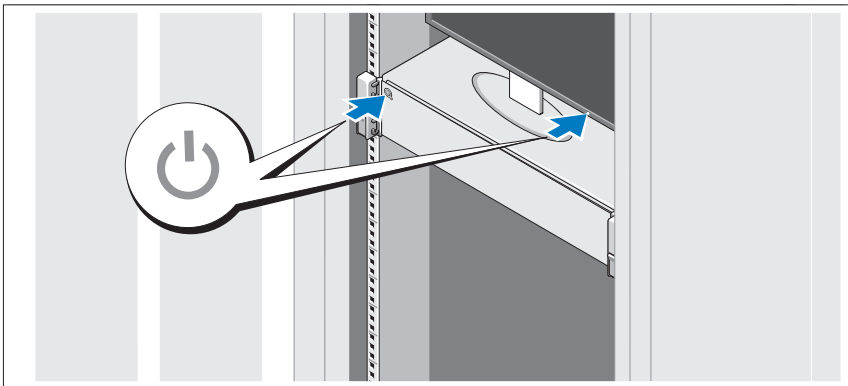
Connect the system's power cable(s) to the system and, if a monitor is used, connect the monitor's power cable to the monitor.

## Securing the Power Cable(s)



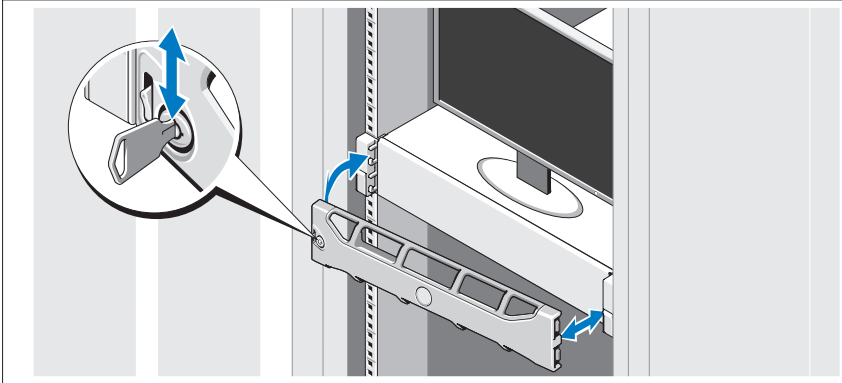
Bend the system power cable into a loop as shown in the illustration and secure the cable to the bracket using the provided strap. Plug the other end of the power cable into a grounded electrical outlet or a separate power source such as an uninterrupted power supply (UPS) or a power distribution unit (PDU).

## Turning On the System



Press the power button on the system and the monitor. The power indicators should light.

## Installing the Optional Bezel



Install the bezel (optional).

## Complete the Operating System Setup

If you purchased a preinstalled operating system, see the operating system documentation that ships with your system. To install an operating system for the first time, see the installation and configuration documentation for your operating system. Be sure the operating system is installed before installing hardware or software not purchased with the system.

## Supported Operating Systems

- Microsoft® Windows Server® 2008 Standard, Enterprise, and Datacenter (x64) editions
- Microsoft Windows Server 2008 Standard and Enterprise (x86) editions
- Microsoft Windows Server 2008 Standard and Enterprise (x86) editions with SP2
- Microsoft Windows Server 2008 Standard, Enterprise, and Datacenter (x64) editions with SP2
- Microsoft Windows Server 2008 R2 Standard, Enterprise, and Datacenter (x64) editions with SP2



- Microsoft Windows HPC Server 2008 (x64)
- Microsoft Windows HPC Server 2008 (x64) with SP2
- Microsoft Windows HPC Server 2008 R2 (x64) with SP2
- Microsoft Windows Server 2003 R2 Standard and Enterprise (x86) editions
- Microsoft Windows Server 2003 R2 Standard, Enterprise, and Datacentre (x64) editions
- Microsoft Windows Essential Business Server Standard and Premium (x64) editions
- Microsoft Windows Essential Business Server Standard and Premium (x86) editions
- Microsoft Hyper-V™ Server 2008
- Microsoft Hyper-V Server 2008 R2
- SUSE® Linux Enterprise Server 11 (x86\_64)
- SUSE Linux Enterprise Server 10 (x86\_64) with SP2
- SUSE Linux Enterprise Server 10 (x86\_64) with SP3
- Solaris® 10 (x86\_64) (when available)
- Solaris 10 U7/U8 (x86\_64)
- VMware® vSphere® 4.0 Update 1
- Citrix® XenServer™ 6.0 (when available)



**NOTE:** For the latest information on supported operating systems, see [support.dell.com](http://support.dell.com).

## Other Information You May Need



**WARNING:** See the safety and regulatory information that shipped with your system. Warranty information may be included within this document or as a separate document.

- The rack documentation included with your rack solution describes how to install your system into a rack.
- The *Hardware Owner's Manual* provides information about system features and describes how to troubleshoot the system and install or replace system components. This document is available online at [support.dell.com/manuals](http://support.dell.com/manuals).
- Any media that ships with your system that provides documentation and tools for configuring and managing your system, including those pertaining to the operating system, system management software, system updates, and system components that you purchased with your system.



**NOTE:** Always check for updates on [support.dell.com/manuals](http://support.dell.com/manuals) and read the updates first because they often supersede information in other documents.

## Obtaining Technical Assistance

If you do not understand a procedure in this guide or if the system does not perform as expected, see your *Hardware Owner's Manual*. Dell™ offers comprehensive hardware training and certification. See [www.dell.com/training](http://www.dell.com/training) for more information. This service may not be offered in all locations.

## Información de la NOM (sólo para México)

La información que se proporciona a continuación aparece en el dispositivo descrito en este documento, en cumplimiento de los requisitos de la Norma Oficial Mexicana (NOM):

|                          |   |
|--------------------------|---|
| Importador:              | Dell Inc. de México, S.A. de C.V.<br>Paseo de la Reforma 2620 -11º Piso<br>Col. Lomas Altas<br>11950 México, D.F. |
| Número de modelo:        | E05S series   |
| Voltaje de alimentación: | 100–240 V CA  |
| Frecuencia:              | 50/60 Hz  |
| Consumo eléctrico:       | 8–4.0 A   |

## Technical Specifications

---

|                  |  |
|------------------|--|
| <b>Processor</b> |  |
| Processor type   | Up to four AMD Opteron™ 6000 Series processors |

---

|                      |  |
|----------------------|--|
| <b>Expansion Bus</b> |  |
| Bus type             | PCI Express Generation 2   |
| Expansion slots      | <b>Riser 1</b><br>Slot 1: x8 link with x16 physical connector, 9.5-inch length, standard height<br>Slot 2: x4 link with x8 physical connector, low-profile with a standard height bracket<br><b>System Board</b><br>Slot 3: x8 link with x8 physical connector, low-profile<br>Slot 4: x8 link with x8 physical connector, low-profile<br><b>Riser 2</b><br>Slot 5: x8 link with x16 physical connector, 9.5-inch length, standard height<br>Slot 6: x8 link with x16 physical connector, 9.5-inch length, standard height |

---

**Memory**

---

|                          |   |
|--------------------------|---|
| Architecture             | 1333 MHz DDR3 registered and unregistered ECC DIMMs   |
| Memory module sockets    | Thirty two 240-pin  |
| Memory module capacities | 1 GB, 2 GB, 4 GB, 8 GB, or 16 GB (when available) RDIMMs (single, dual, or quad-rank depending on capacity) |
| Minimum RAM              | 4 GB (per processor)  |
| Maximum RAM              | 512 GB (with four processors)   |

---

**Drives**

---

|                |   |
|----------------|---|
| Hard drives    | Up to six 2.5-inch, internal hot-swappable SAS, SATA, or SSD drives   |
| Diskette drive | Optional external USB 1.44 MB   |
| Optical drive  | One optional slimline SATA DVD-ROM or DVD+RW drive<br><b>NOTE: DVD devices are data only.</b>                   |
| Flash drive    | Optional internal USB<br>Optional internal dual SD module<br>Optional vFlash card (with iDRAC6 Enterprise card) |

---

**Connectors**

---

|                      |  |
|----------------------|--|
| Back                 |  |
| NIC                  | Four RJ-45 (for integrated 1 GB NICs)                          |
| NIC (management NIC) | One optional management NIC port on iDRAC6 Enterprise card     |
| Serial               | 9-pin, DTE, 16550-compatible                                   |
| USB                  | Four 4-pin, USB 2.0-compliant                                  |
| Video                | 15-pin VGA   |
| vFlash               | One optional vFlash memory card slot on iDRAC6 Enterprise card |

---

**Connectors (continued)**

---

## Front

|       |                              |
|-------|------------------------------|
| Video | 15-pin VGA                   |
| USB   | Two 4-pin, USB 2.0-compliant |

## Internal

|     |                                  |
|-----|----------------------------------|
| USB | One 4-pin, USB 2.0-compliant     |
| SD  | Two optional internal SD modules |

---

**Video**

---

|              |   |
|--------------|---|
| Video type   | Integrated Matrox G200 with iDRAC6          |
| Video memory | 8 MB (shared with iDRAC application memory) |

---

**Power**

---

## AC power supply

|                        |  |
|------------------------|--|
| Wattage                | 1100 W   |
| Voltage                | 100-240 VAC, 50/60 Hz, auto-ranging  |
| Heat dissipation       | 4012 BTU/Hr  |
| Maximum inrush current | Under typical line conditions and over the entire system ambient operating range, the inrush current may reach 55 A per power supply for 10 ms or less |

## Batteries

|                |                                 |
|----------------|---------------------------------|
| System battery | CR 2032 3.0-V lithium coin cell |
|----------------|---------------------------------|

---

**Physical**

---

|                                |   |
|--------------------------------|---|
| Height                         | 8.64 cm (3.40 in)   |
| Width                          | 44.05 cm (17.34 in) without bezel<br>48.24 cm (18.99 in) with bezel |
| Depth                          | 72.06 cm (28.37 in) without bezel<br>75.56 cm (29.75 in) with bezel |
| Weight (maximum configuration) | 26.1 kg (57.54 lb)  |
| Weight (empty)                 | 21.15 kg (46.64 lb)   |

---

## Environmental

---

**NOTE:** For additional information about environmental measurements for specific system configurations, see [www.dell.com/environmental\\_datasheets](http://www.dell.com/environmental_datasheets).

### Temperature

Operating 10° to 35°C (50° to 95°F) with a maximum temperature gradation of 10°C per hour

**NOTE:** For altitudes above 2950 feet, the maximum operating temperature is derated 1°F/550 ft.

Storage -40° to 65°C (-40° to 149°F) with a maximum temperature gradation of 20°C per hour

### Relative humidity

Operating 20% to 80% (noncondensing) with a maximum humidity gradation of 10% per hour

Storage 5% to 95% (noncondensing)

### Maximum vibration

Operating 0.26 G at 5–350 Hz for 15 min

Storage 1.54 G at 10–250 Hz for 15 min

### Maximum shock

Operating One shock pulse in the positive z axis (one pulse on each side of the system) of 31 G for 2.6 ms in the operational orientation

Storage Six consecutively executed shock pulses in the positive and negative x, y, and z axes (one pulse on each side of the system) of 71 G for up to 2 ms

### Altitude

Operating -16 to 3,048 m (-50 to 10,000 ft)

**NOTE:** For altitudes above 2950 feet, the maximum operating temperature is derated 1°F/550 ft.

Storage -16 to 10,600 m (-50 to 35,000 ft)

### Airborne Contaminant Level

Class G2 or lower as defined by ISA-S71.04-1985

Dell™ PowerEdge™

R815 系统

# 系统使用入门

管制型号 E05S 系列



# 注、小心和警告



**注：**“注”表示可以帮助您更好地使用计算机的重要信息。



**小心：**“小心”表示如果不遵循说明，就有可能损坏硬件或导致数据丢失。



**警告：**“警告”表示可能会造成财产损失、人身伤害甚至死亡。

---

**本说明文件中的信息如有更改，恕不另行通知。**

© 2009 Dell Inc. **版权所有，翻印必究。**

未经 Dell Inc. 书面许可，严禁以任何形式复制这些材料。

本文中使用的商标：*Dell*、*DELL* 徽标和 *PowerEdge* 是 Dell Inc. 的商标；*AMD*、*AMD Opteron* 及其组合是 Advanced Micro Devices, Inc. 的商标；*Microsoft*、*Hyper-V*、*Windows* 和 *Windows Server* 是 Microsoft Corporation 在美国和 / 或其他国家的商标或注册商标；*SUSE* 是 Novell, Inc. 在美国和其他国家的注册商标；*VMware* 是 VMware, Inc. 在美国和 / 或其他辖区的注册商标；*Citrix* 和 *XenServer* 是 Citrix Systems, Inc. 和 / 或其子公司的商标，可能已在美国或其他国家的专利和商标局进行注册。


本说明文件中提及的其它商标和产品名称是指拥有相应商标和产品名称的公司或其制造的产品。Dell Inc. 对其它公司的商标和产品名称不拥有任何所有权。

管制 Model E05S 系列

2009 年 11 月      P/N HC3PJ      Rev. A00

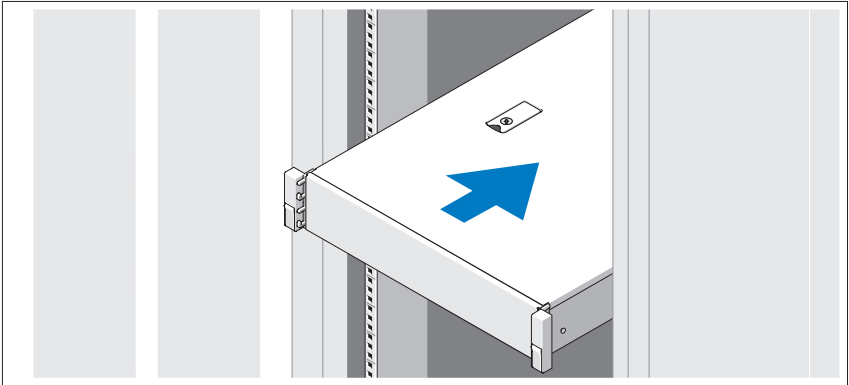


## 安装和配置

 **警告：** 执行下列步骤之前，请查看系统随附的安全说明。

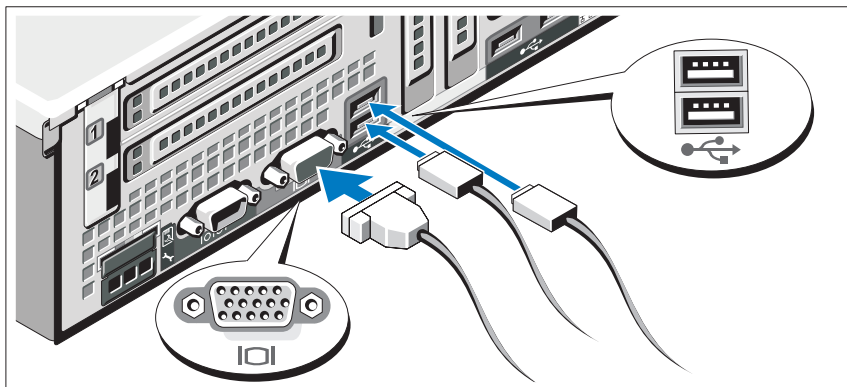
### 打开系统包装

打开系统包装并确认各个组件。



遵循系统随附的安全说明和机架安装说明，在机架中组装滑轨并安装系统。

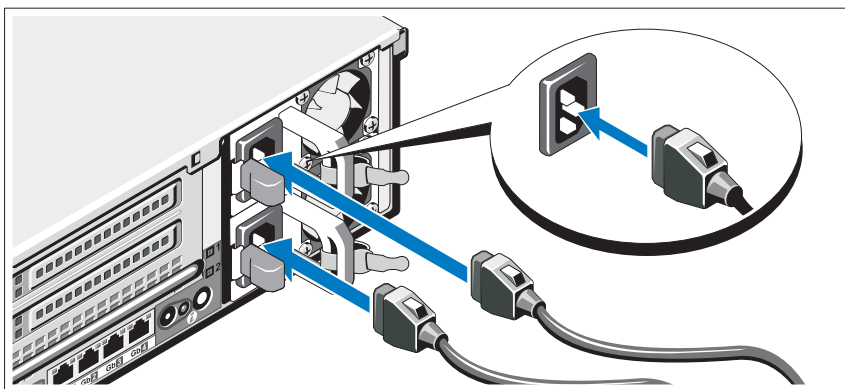
## 可选 — 连接键盘、鼠标和显示器



连接键盘、鼠标和显示器（可选）。

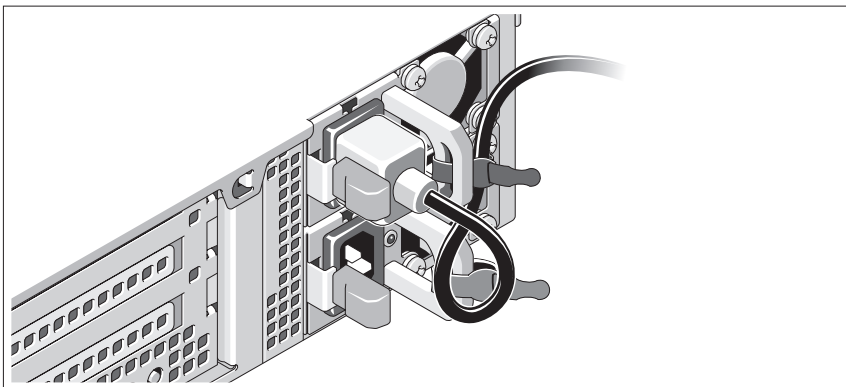
系统背面的连接器附有图标，指示要插入每个连接器的电缆。请确保拧紧显示器电缆连接器上的螺钉（如果有）。

## 连接电源电缆



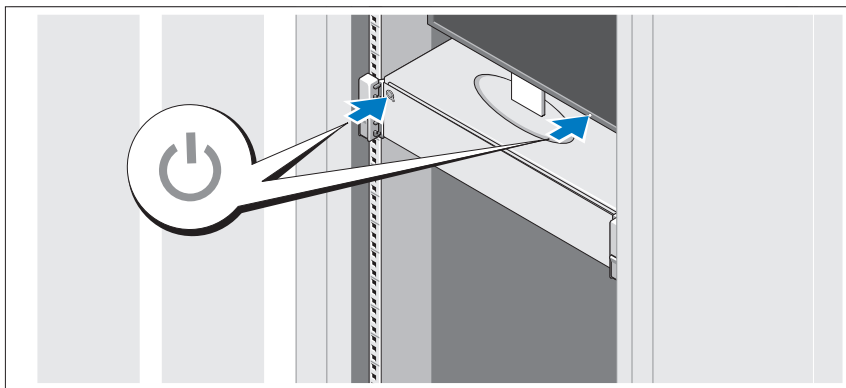
将系统电源电缆连接至系统，如果使用显示器，则将显示器电源电缆连接至显示器。

## 固定电源电缆



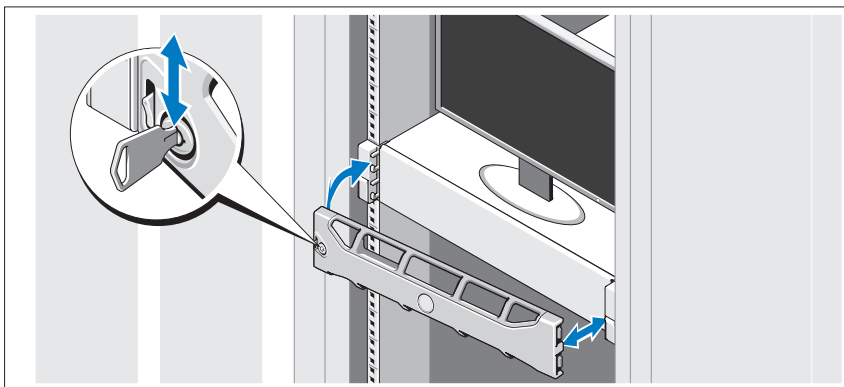
如图所示，将系统电源电缆弯曲成一个环状，并使用所提供的腕带将其固定到支架。将电源电缆的另一端插入接地的电源插座或单独的电源，如不间断电源设备 (UPS) 或配电装置 (PDU)。

## 开启系统



按下系统和显示器的电源按钮。电源指示灯将会亮起。

## 安装可选挡板



安装挡板（可选）。

## 完成操作系统安装

如果购买了预安装的操作系统，请参阅系统随附的操作系统说明文件。第一次安装操作系统时，请参阅操作系统的安装和配置说明文件。在安装并非随系统购买的硬件或软件之前，确保已安装操作系统。

## 支持的操作系统

- Microsoft® Windows Server® 2008 标准版、企业版和 Datacenter (x64) 版
- Microsoft Windows Server 2008 标准版和企业 (x86) 版
- Microsoft Windows Server 2008 标准版和企业 (x86) 版（含 SP2）
- Microsoft Windows Server 2008 标准版、企业版和 Datacenter (x64) 版（含 SP2）
- Microsoft Windows Server 2003 R2 标准版、企业版 和 Datacenter (x64) 版（含 SP2）
- Microsoft Windows HPC Server 2008 (x64)
- Microsoft Windows Web Server 2008 (x64) 版（含 SP2）
- Microsoft Windows HPC Server 2008 R2 (x64) 版（含 SP2）

- Microsoft Windows Server 2003 R2 标准版和企业 (x86) 版
- Microsoft Windows Server 2008 R2 标准版、企业版和 Datacenter (x64) 版
- Microsoft Windows Essential Business Server 标准版和高级 (x64) 版
- Microsoft Windows Essential Business Server 标准版和高级 (x86) 版
- Microsoft Hyper-V™ Server 2008
- Microsoft Hyper-V Server 2008 R2
- SUSE® Linux Enterprise Server 11 (x86\_64)
- SUSE Linux Enterprise Server 10 (x86\_64) (含 SP2)
- SUSE Linux Enterprise Server 10 (x86\_64) (含 SP3)
- Solaris® 10 (x86\_64) (如果有)
- Solaris 10 U7/U8 (x86\_64)
- VMware® vSphere® 4.0 更新 1
- Citrix® XenServer™ 6.0 (如果有)



**注：**有关支持的操作系统的最新信息，请访问 [support.dell.com](http://support.dell.com)。

## 可能需要的其他信息



**警告：**请参阅系统附带的安全与管制信息。保修信息可能包括在该说明文件中，也可能作为单独的说明文件提供。

- 机架解决方案附随的机架说明文件介绍了如何将系统安装到机架中。
- 《硬件用户手册》提供了有关系统功能的信息，并说明了如何排除系统故障以及安装或更换系统组件。可在 [support.dell.com/manuals](http://support.dell.com/manuals) 在线获取该说明文件。
- 系统随附的所有介质都提供了用于配置和管理系统的说明文件和工具，包括与随系统购买的操作系统、系统管理软件、系统更新软件以及系统组件相关的说明文件和工具。



**注：**请经常访问 [support.dell.com/manuals](http://support.dell.com/manuals) 以获得更新，并首先阅读这些更新，因为这些更新通常会取代其它说明文件中的信息。

# 获得技术帮助

如果您对本指南中的步骤有疑问，或系统运行无法达到预期效果，请参阅《硬件用户手册》。Dell™ 提供全面的硬件培训和认证。有关详情，请参阅 [www.dell.com/training](http://www.dell.com/training)。此服务可能并非在所有地区都提供。

# 技术规格

---

|            |                                  |
|------------|----------------------------------|
| <b>处理器</b> |                                  |
| 处理器类型      | 最多支持 4 个 AMD Opteron™ 6000 系列处理器 |

---

|             |  |
|-------------|--|
| <b>扩充总线</b> |  |
| 总线类型        | PCI Express 第 2 代  |
| 扩充槽         | <b>提升板 1</b><br>插槽 1: x8 链接 (带 x16 物理连接器), 9.5 英寸长, 标准高度<br>插槽 2: x4 链接 (带 x8 物理连接器), 标准高度小型托架<br><b>系统板</b><br>插槽 3: x8 链接 (带 x8 物理连接器), 小型<br>插槽 4: x8 链接 (带 x8 物理连接器), 小型<br><b>提升板 2</b><br>插槽 5: x8 链接 (带 x16 物理连接器), 9.5 英寸长, 标准高度<br>插槽 6: x8 链接 (带 x16 物理连接器), 9.5 英寸长, 标准高度 |

---

|           |   |
|-----------|---|
| <b>内存</b> |   |
| 体系结构      | 1333 MHz DDR3 注册及未注册 ECC DIMM                               |
| 内存模块插槽    | 32 个 240 针  |
| 内存模块容量    | 1 GB、2 GB、4 GB、8 GB 或 16 GB (如果有) RDIMM (单列、双列或四列, 具体取决于容量) |
| 最小 RAM    | 4 GB (每个处理器)  |
| 最大 RAM    | 512 GB (带 4 个处理器)   |

---

## 驱动器

---

|        |  |
|--------|--|
| 硬盘驱动器  | 多达六个 2.5 英寸内置热插拔 SAS、SATA 或 SSD 驱动器                          |
| 软盘驱动器  | 可选的外部 USB 1.44 MB  |
| 光盘驱动器  | 一个可选的细长型 SATA DVD-ROM 或 DVD+RW 驱动器<br><b>注：</b> DVD 设备仅用于数据。 |
| 快擦写驱动器 | 可选的内部 USB<br>可选的内部双 SD 模块<br>可选的 vFlash 卡（带 iDRAC6 企业卡）      |

---

## 连接器

---

### 背面

|             |  |
|-------------|--|
| NIC         | 四个 RJ-45（用于集成的 1 GB NIC）                   |
| NIC（管理 NIC） | 一个可选的管理 NIC 端口，位于 iDRAC6 Enterprise 卡上     |
| 串行          | 9 针、DTE、16550 兼容连接器                        |
| USB         | 四个 4 针、USB 2.0 兼容连接器                       |
| 视频          | 15 针 VGA 连接器                               |
| vFlash      | 一个可选的 vFlash 内存卡插槽，位于 iDRAC6 Enterprise 卡上 |

### 正面

|     |                      |
|-----|----------------------|
| 视频  | 15 针 VGA 连接器         |
| USB | 两个 4 针、USB 2.0 兼容连接器 |

### 内部

|     |                      |
|-----|----------------------|
| USB | 一个 4 针、USB 2.0 兼容连接器 |
| SD  | 两个可选的内部 SD 模块        |

---

## 视频

---

|      |                            |
|------|----------------------------|
| 视频类型 | 集成的 Matrox G200 (带 iDRAC6) |
| 视频内存 | 8 MB (与 iDRAC 应用程序内存共享)    |

---

## 电源

---

### 交流电源设备

|        |  |
|--------|--|
| 功率     | 1100 W   |
| 电压     | 100-240 VAC, 50/60 Hz, 自动调整                            |
| 散热     | 4012 BTU/Hr  |
| 最大涌入电流 | 在典型的线路环境下和整个系统环境工作范围内, 每个电源设备在 10 毫秒或更短时间内的涌入电流可达 55 A |

### 电池

|      |                    |
|------|--------------------|
| 系统电池 | CR 2032 3.0V 锂离子电池 |
|------|--------------------|

---

## 物理

---

|           |   |
|-----------|---|
| 高度        | 8.64 厘米 (3.40 英寸)                                   |
| 宽度        | 44.05 厘米 (17.34 英寸) 不带挡板<br>48.24 厘米 (18.99 英寸) 带挡板 |
| 厚度        | 72.06 厘米 (28.37 英寸) 不带挡板<br>75.56 厘米 (29.75 英寸) 带挡板 |
| 重量 (最大配置) | 26.1 千克 (57.54 磅)                                   |
| 重量 (空置)   | 21.15 千克 (46.64 磅)                                  |



---

## 环境参数

---

**注：**有关特定系统配置的环境测量值的其它信息，请参阅 [www.dell.com/environmental\\_datasheets](http://www.dell.com/environmental_datasheets)。

### 温度

|     |   |
|-----|---|
| 运行时 | 10° 至 35° C (50° 至 95° F)，最大温度变化梯度为每小时 10° C<br><b>注：</b> 海拔高度在 2950 英尺以上时，最高操作温度按 1° F/550 英尺降低。 |
| 存储时 | - 40° 到 65° C (- 40° 到 149° F)，每小时最大温度变化梯度不超过 20° C   |

### 相对湿度

|     |                                |
|-----|--------------------------------|
| 运行时 | 20% 至 80% (非冷凝)，最大湿度梯度为每小时 10% |
| 存储时 | 5% 至 95% (非冷凝)                 |

### 最大振动

|     |                                  |
|-----|----------------------------------|
| 运行时 | 在 5 - 350 Hz、0.26 G 时，可持续 15 分钟  |
| 存储时 | 在 10 - 250 Hz、1.54 G 时，可持续 15 分钟 |

### 最大撞击

|     |   |
|-----|---|
| 运行时 | z 轴正方向上可承受一个 31 G 的撞击脉冲 (系统每一面承受一个脉冲)，在操作方向最多可持续 2.6 毫秒   |
| 存储时 | x、y 和 z 轴正负方向上可承受连续六个 71 G 的撞击脉冲 (系统每一面承受一个脉冲)，最长可持续 2 毫秒 |

### 海拔高度

|     |  |
|-----|--|
| 运行时 | -16 至 3,048 米 (-50 至 10,000 英尺)<br><b>注：</b> 海拔高度在 2950 英尺以上时，最高操作温度按 1° F/550 英尺降低。 |
| 存储时 | -16 至 10,600 米 (-50 至 35,000 英尺)   |

### 气载污染物级别

|    |                                   |
|----|-----------------------------------|
| 分类 | G2 或更低 (根据 ISA-S71.04-1985 定义的标准) |
|----|-----------------------------------|



Dell™ PowerEdge™  
Sistem R815

Memulai Dengan  
Sistem Anda

Model regulasi Seri E05S



# Catatan, Perhatian, dan Peringatan



**CATATAN:** CATATAN menunjukkan informasi penting yang membantu Anda untuk menggunakan komputer dengan lebih baik.



**PERHATIAN:** PERHATIAN menunjukkan kemungkinan kerusakan pada perangkat keras atau hilangnya data jika petunjuk tidak diikuti.



**PERINGATAN:** PERINGATAN menunjukkan kemungkinan kerusakan barang, cedera tubuh, atau kematian.

---

**Informasi dalam dokumen ini dapat berubah tanpa pemberitahuan.**

© 2009 Dell Inc. Hak cipta dilindungi undang-undang.

Dilarang keras memperbanyak materi ini dengan cara apa pun tanpa izin tertulis dari Dell Inc.

Merek dagang yang digunakan dalam dokumen ini: *Dell*, logo *DELL*, dan *PowerEdge* adalah merek dagang dari Dell Inc.; *AMD*, *AMD Opteron*, dan kombinasinya adalah merek dagang Advanced Micro Devices, Inc.; *Microsoft*, *Hyper-V*, *Windows*, dan *Windows Server* adalah merek dagang atau merek dagang terdaftar dari Microsoft Corporation di Amerika Serikat dan/atau di negara-negara lain; *SUSE* adalah merek dagang terdaftar dari Novell, Inc. di Amerika Serikat dan di negara-negara lain; *VMware* adalah merek dagang terdaftar dari VMware, Inc. di Amerika Serikat dan/atau wilayah hukum lain; *Citrix* dan *XenServer* adalah merek dagang dari Citrix Systems, Inc. dan/atau salah satu atau beberapa anak perusahaannya, dan mungkin terdaftar di Kantor Paten dan Merek Dagang Amerika Serikat dan di negara-negara lain.

Merek dagang dan nama dagang lain mungkin digunakan dalam dokumen ini untuk merujuk ke pihak lain yang memiliki hak kekayaan intelektual atas merek dan nama produk mereka. Dell Inc. menyangkal kepentingan kepemilikan apa pun atas merek dagang dan nama dagang selain miliknya sendiri.

Model Regulasi Seri E05S

November 2009

No. Komp. HC3PJ

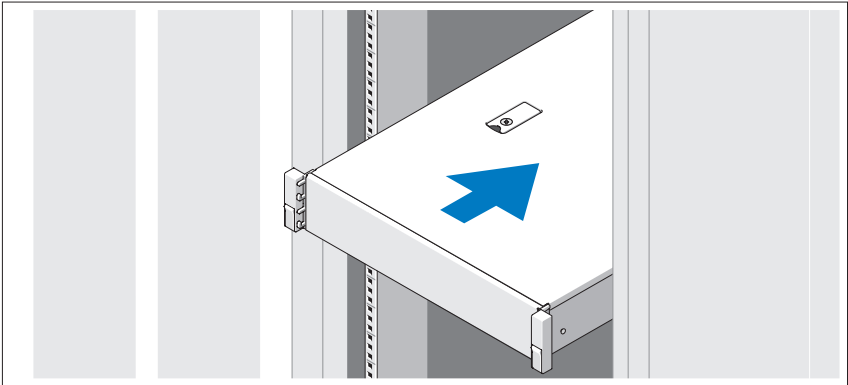
Rev. A00

# Instalasi dan Konfigurasi

 **PERINGATAN:** Sebelum melakukan prosedur berikut, bacalah petunjuk keselamatan yang disertakan dengan sistem.

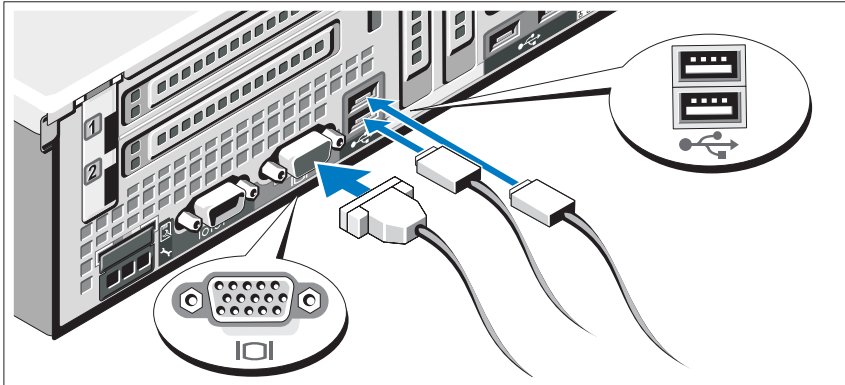
## Membuka kemasan Sistem

Buka kemasan sistem Anda dan kenali masing-masing barang.



Rakit rel dan pasang sistem dalam rak dengan mengikuti petunjuk keselamatan dan petunjuk pemasangan rak yang disertakan dengan sistem Anda.

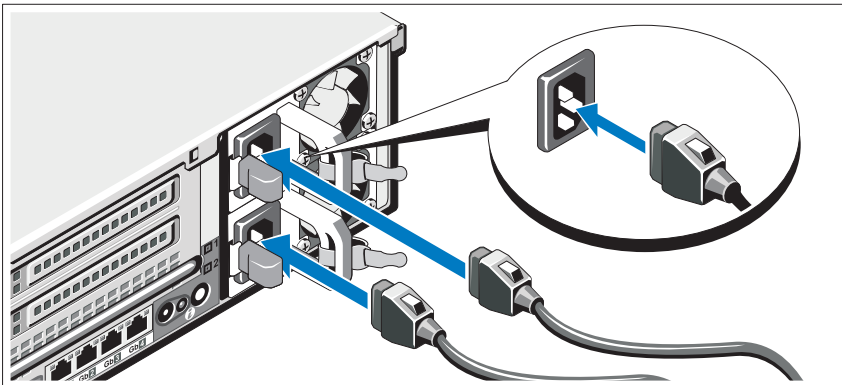
## Opsional – Menghubungkan Keyboard, Mouse, dan Monitor



Hubungkan keyboard, mouse, dan monitor (opsional).

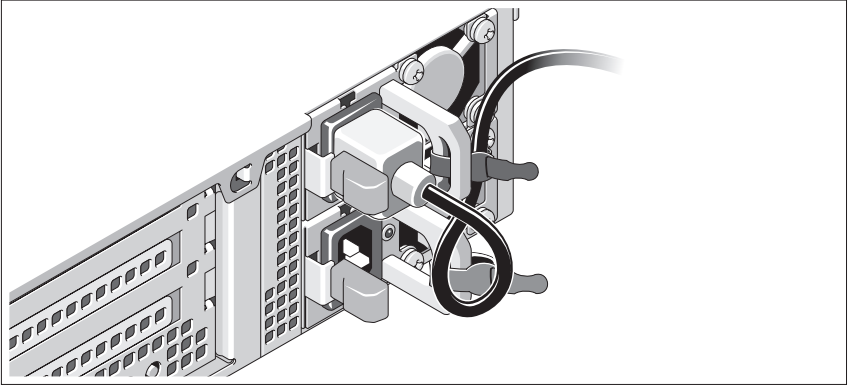
Konektor di bagian belakang sistem Anda ditandai dengan ikon yang menunjukkan kabel mana yang harus ditancapkan ke masing-masing konektor. Pastikan untuk mengencangkan sekrup (jika ada) pada konektor kabel monitor.

## Menghubungkan Kabel Daya



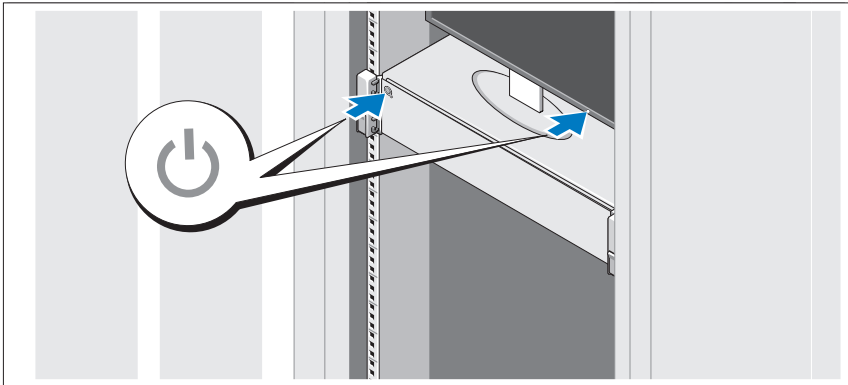
Hubungkan kabel daya sistem ke sistem dan, jika menggunakan monitor, hubungkan kabel daya monitor ke monitor.

## Mengamankan Kabel Daya



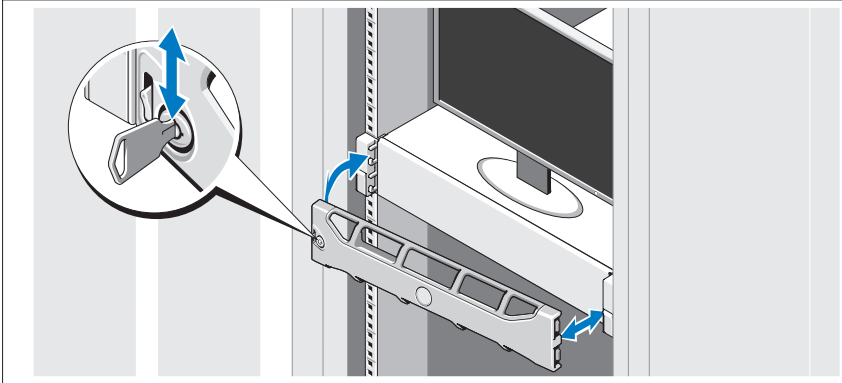
Bengkokkan kabel daya sistem dalam bentuk lingkaran seperti ditunjukkan pada gambar dan ikat kabel ke braket dengan pengikat yang tersedia. Tancapkan ujung kabel daya yang lain ke stopkontak listrik yang ditanahkan atau sumber daya terpisah seperti catu daya tak terputus (UPS) atau unit distribusi daya (PDU).

## Menyalakan Sistem



Tekan tombol daya pada sistem dan monitor. Indikator daya seharusnya menyala.

## Memasang Bezel Opsional



Pasang bezel (opsional).

## Menyelesaikan Pemasangan Sistem Operasi

Jika Anda membeli sistem operasi yang telah terinstal, lihat dokumentasi sistem operasi yang disertakan dengan sistem Anda. Untuk menginstal sistem operasi untuk pertama kalinya, lihat dokumentasi instalasi dan konfigurasi untuk sistem operasi Anda. Pastikan bahwa sistem operasi telah terinstal sebelum Anda menginstal perangkat keras atau perangkat lunak yang tidak dibeli bersama sistem.

## Sistem Operasi yang Didukung

- Microsoft® Windows Server® 2008 edisi Standard, Enterprise, dan Datacenter (x64)
- Microsoft Windows Server 2008 edisi Standard dan Enterprise (x86)
- Microsoft Windows Server 2008 edisi Standard dan Enterprise (x86) dengan SP2
- Microsoft Windows Server 2008 edisi Standard, Enterprise, dan Datacenter (x64) dengan SP2
- Microsoft Windows Server 2008 R2 edisi Standard, Enterprise, dan Datacenter (x64) dengan SP2



- Microsoft Windows HPC Server 2008 (x64)
- Microsoft Windows HPC Server 2008 (x64) dengan SP2
- Microsoft Windows HPC Server 2008 R2 (x64) dengan SP2
- Microsoft Windows Server 2003 R2 edisi Standard dan Enterprise (x86)
- Microsoft Windows Server 2003 R2 edisi Standard, Enterprise, dan Datacentre (x64)
- Microsoft Windows Essential Business Server edisi Standard dan Premium (x64)
- Microsoft Windows Essential Business Server edisi Standard dan Premium (x86)
- Microsoft Hyper-V™ Server 2008
- Microsoft Hyper-V Server 2008 R2
- SUSE® Linux Enterprise Server 11 (x86\_64)
- SUSE Linux Enterprise Server 10 (x86\_64) dengan SP2
- SUSE Linux Enterprise Server 10 (x86\_64) dengan SP3
- Solaris® 10 (x86\_64) (jika tersedia)
- Solaris 10 U7/U8 (x86\_64)
- VMware® vSphere® 4.0 Pembaruan 1
- Citrix® XenServer™ 6.0 (jika tersedia)



**CATATAN:** Untuk informasi terkini mengenai sistem operasi yang didukung, lihat [support.dell.com](http://support.dell.com).

## Informasi Lain Yang Mungkin Anda Perlukan



**PERINGATAN:** Lihat informasi keselamatan dan regulasi yang dikirimkan dengan sistem Anda. Informasi garansi mungkin disertakan dalam dokumen ini atau sebagai suatu dokumen yang terpisah.

- Dokumentasi rak juga mencakup solusi rak yang menggambarkan cara memasang sistem Anda dalam rak.
- *Panduan Pemilik Perangkat Keras* berisi informasi tentang fitur sistem dan menjelaskan cara mengatasi masalah sistem dan menginstal atau mengganti komponen sistem. Dokumen ini tersedia secara online di [support.dell.com/manuals](http://support.dell.com/manuals).
- Media apapun yang dikirimkan bersama dengan sistem Anda yang menyediakan dokumentasi dan alat untuk mengonfigurasi dan mengelola sistem Anda, termasuk yang menyinggung sistem operasi, perangkat lunak pengelola sistem, pembaruan sistem, dan komponen sistem yang Anda beli dengan sistem Anda.



**CATATAN:** Selalu periksa pembaruan di [support.dell.com/manuals](http://support.dell.com/manuals) dan bacalah pembaruan tersebut terlebih dahulu karena seringkali menggantikan informasi dalam dokumen lain.

## Mendapatkan Bantuan Teknis

Jika Anda tidak memahami suatu prosedur dalam panduan ini atau jika sistem tidak bekerja seperti yang diharapkan, lihat *Panduan Pemilik Perangkat Keras*. Dell™ menyediakan pelatihan dan sertifikasi perangkat keras secara komprehensif. Lihat [www.dell.com/training](http://www.dell.com/training) untuk informasi lebih lanjut. Layanan ini mungkin tidak tersedia di semua lokasi.

# Spesifikasi Teknis

---

## Prosesor

---

Tipe prosesor Hingga empat prosesor AMD Opteron™ Seri 6000

---

## Bus Ekspansi

---

Tipe bus PCI Express Generasi 2

Slot ekspansi

### Riser 1

Slot 1: Tautan x8 dengan konektor fisik x16, panjang 9,5-inci, tinggi standar

Slot 2: Tautan x4 dengan konektor fisik x8, profil rendah dengan tinggi braket standar

### Papan Sistem

Slot 3: Tautan x8 dengan konektor fisik x8, profil rendah

Slot 4: Tautan x8 dengan konektor fisik x8, profil rendah

### Riser 2

Slot 5: Tautan x8 dengan konektor fisik x16, panjang 9,5-inci, tinggi standar

Slot 6: Tautan x8 dengan konektor fisik x16, panjang 9,5-inci, tinggi standar

---

## Memori

---

Arsitektur DIMM ECC terdaftar dan tidak terdaftar DDR3 1333 MHz

Soket modul memori Tigapuluh dua 240 pin

Kapasitas modul memori 1 GB, 2 GB, 4 GB, 8 GB, atau 16 GB (jika tersedia) RDIMM (single, dual, atau quad-rank tergantung pada kapasitas)

RAM minimum 4 GB (per prosesor)

RAM maksimum 512 GB (dengan empat prosesor)

---

---

**Drive**

---

|              |  |
|--------------|--|
| Hard drive   | Hingga enam drive internal SAS, SATA atau SSD hot-swappable 2,5-inci   |
| Drive disket | USD eksternal 1,44 MB opsional   |
| Drive optik  | Satu drive DVD-ROM atau DVD+RW SATA slimline opsional<br><b>CATATAN:</b> Perangkat DVD hanya data.                 |
| Flash Drive  | USB internal opsional<br>Modul dual SD internal opsional<br>Kartu vFlash opsional (dengan kartu Enterprise iDRAC6) |

---

**Konektor**

---

|                     |   |
|---------------------|---|
| Belakang            |   |
| NIC                 | Empat RJ-45 (untuk NIC 1GB terpadu)                                 |
| NIC (NIC manajemen) | Satu port NIC manajemen opsional pada kartu Enterprise iDRAC6       |
| Serial              | 9-pin, DTE, kompatibel dengan 16550                                 |
| USB                 | Empat 4-pin, memenuhi standar USB 2.0                               |
| Video               | VGA 15-pin  |
| vFlash              | Satu slot kartu memori vFlash opsional pada kartu Enterprise iDRAC6 |
| Depan               |   |
| Video               | VGA 15-pin  |
| USB                 | Dua 4-pin, memenuhi standar USB 2.0                                 |
| Internal            |   |
| USB                 | Satu 4-pin, memenuhi standar USB 2.0                                |
| SD                  | Dua modul SD internal opsional                                      |

---

**Video**

---

|              |   |
|--------------|---|
| Tipe video   | Matrox G200 terpadu dengan iDRAC6           |
| Memori video | 8 MB (berbagi dengan memori aplikasi iDRAC) |

---

**Daya**

---

## Catu daya AC

|                        |   |
|------------------------|---|
| Watt Daya              | 1100 W  |
| Tegangan               | 100-240 VAC, 50/60 Hz, kisaran otomatis   |
| Pelepasan panas        | 4012 BTU/jam  |
| Lonjakan arus maksimum | Pada kondisi jaringan listik tipikal dan di seluruh kisaran pengoperasian normal sistem, lonjakan arus dapat mencapai 55 A per catu daya selama 10 mdtk atau kurang |

## Baterai

|                |                                |
|----------------|--------------------------------|
| Baterai sistem | Sel koin lithium CR 2032 3,0-V |
|----------------|--------------------------------|

---

**Fisik**

---

|                              |   |
|------------------------------|---|
| Tinggi                       | 8,64 cm (3,40 inci)   |
| Lebar                        | 44,05 cm (17,34 inci) tanpa bezel<br>48,24 cm (18,99 inci) dengan bezel |
| Tebal                        | 72,06 cm (28,37 inci) tanpa bezel<br>75,56 cm (29,75 inci) dengan bezel |
| Berat (konfigurasi maksimum) | 26,1 kg (57,54 pon)   |
| Berat (kosong)               | 21,15 kg (46,64 pon)  |

---

## Lingkungan

---

**CATATAN:** Untuk informasi lebih lanjut mengenai ukuran lingkungan untuk konfigurasi sistem spesifik, lihat [www.dell.com/environmental\\_datasheets](http://www.dell.com/environmental_datasheets).

### Suhu

|               |   |
|---------------|---|
| Pengoperasian | 10° sampai dengan 35°C (50° sampai dengan 95°F)<br>dengan perubahan suhu maksimum 10°C per jam<br><b>CATATAN:</b> Pada ketinggian di atas 899,16 m (2.950 ft), suhu pengoperasian maksimum berkurang 1°F/167,64 m (550 ft). |
| Penyimpanan   | -40° sampai dengan 65°C (-40° sampai dengan 149°F)<br>dengan gradasi suhu maksimum 20°C per jam   |

### Kelembapan relatif

|               |  |
|---------------|--|
| Pengoperasian | 20% sampai dengan 80% (tanpa pengembunan)<br>dengan gradasi kelembapan 10% per jam |
| Penyimpanan   | 5% sampai dengan 95% (tanpa pengembunan)   |

### Getaran maksimum

|               |                                     |
|---------------|-------------------------------------|
| Pengoperasian | 0.26 G pada 5-350 Hz selama 15 men  |
| Penyimpanan   | 1.54 G pada 10-250 Hz selama 15 men |

### Guncangan maksimum

|               |  |
|---------------|--|
| Pengoperasian | Satu pulsa guncangan pada sumbu z positif (satu pulsa pada setiap sisi sistem) sebesar 31 G selama 2,6 mdtk dalam orientasi pengoperasian              |
| Penyimpanan   | Enam pulsa guncangan yang terjadi berurutan pada sumbu x, y, dan z positif dan negatif (satu pulsa pada setiap sisi sistem) sebesar 71 G selama 2 mdtk |

### Ketinggian

|               |  |
|---------------|--|
| Pengoperasian | -16 sampai dengan 3.048 m (-50 sampai dengan 10.000 ft)<br><b>CATATAN:</b> Pada ketinggian di atas 899,16 m (2.950 ft), suhu pengoperasian maksimum berkurang 1°F/167,64 m (550 ft). |
| Penyimpanan   | -16 sampai dengan 10.600 m (-50 sampai dengan 35.000 ft)   |

### Tingkat Pencemaran Udara

|       |  |
|-------|--|
| Kelas | G2 atau yang lebih rendah sesuai standar ISA-S71.04-1985 |
|-------|--|

Dell™ PowerEdge™

R815 システム

はじめに

認可モデル E05S シリーズ



## メモ、注意、警告



**メモ**：コンピュータを使いやすくするための重要な情報を説明しています。



**注意**：手順に従わない場合は、ハードウェアの損傷やデータの損失の可能性を示しています。



**警告**：物的損害、けが、または死亡の原因となる可能性があることを示しています。

---

本書の内容は予告なく変更されることがあります。

© 2009 すべての著作権は Dell Inc. にあります。

Dell Inc. の書面による許可のない複製は、いかなる形態においても厳重に禁じられています。

本書に使用されている商標：Dell、DELL ロゴ、および PowerEdge は Dell Inc. の商標です。AMD、AMD Opteron およびこれらの組み合わせは Advanced Micro Devices, Inc. の商標です。Microsoft、Hyper-V、Windows および Windows Server は米国その他の国における Microsoft Corporation の商標または登録商標です。SUSE は米国その他の国における Novell, Inc. の登録商標です。VMware は米国その他の法域における VMware, Inc. の登録商標です。Citrix および XenServer は Citrix Systems, Inc. および / またはその関連子会社の商標であり、米国特許商標局および他の国で登録されている場合があります。

商標または製品の権利を主張する事業体を表すためにその他の商標および社名が使用されていることがあります。それらの商標や会社名は、一切 Dell Inc. に帰属するものではありません。

認可モデル E05S シリーズ

2009 年 11 月 P/N HC3PJ Rev. A00

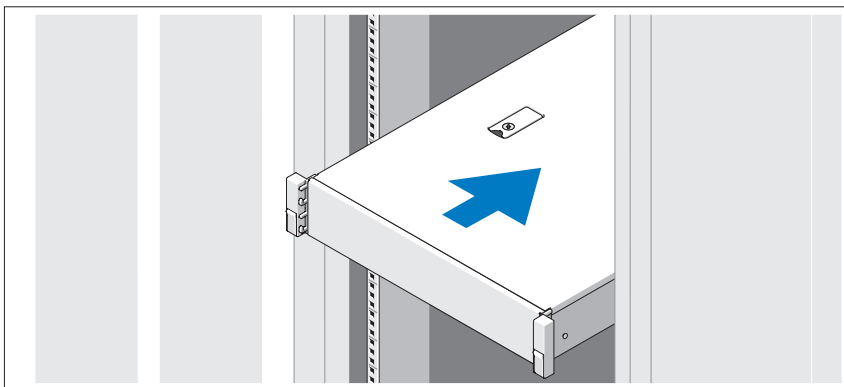


## 取り付けと設定

**⚠ 警告：** 次の手順を実行する前に、システムに付属しているマニュアルの「安全にお使いいただくために」をお読みください。

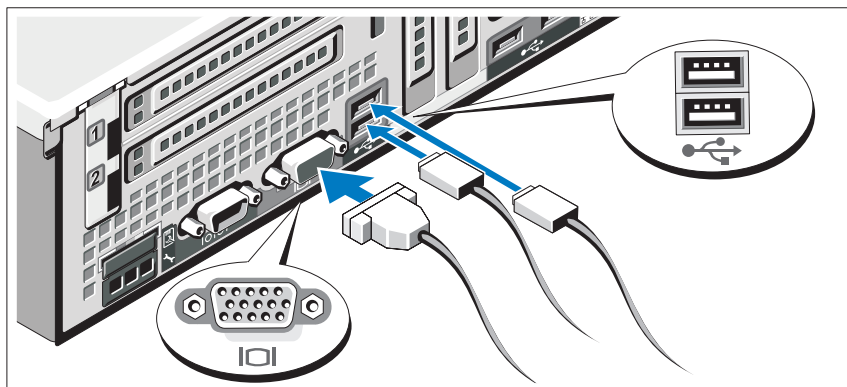
### システムの開梱

システムを箱から取り出し、同梱品がすべて揃っていることを確認します。



レールの組み立てとラックへのシステムの取り付けの際は、システムに付属しているマニュアルの「安全にお使いいただくために」およびラックへの取り付け手順に従ってください。

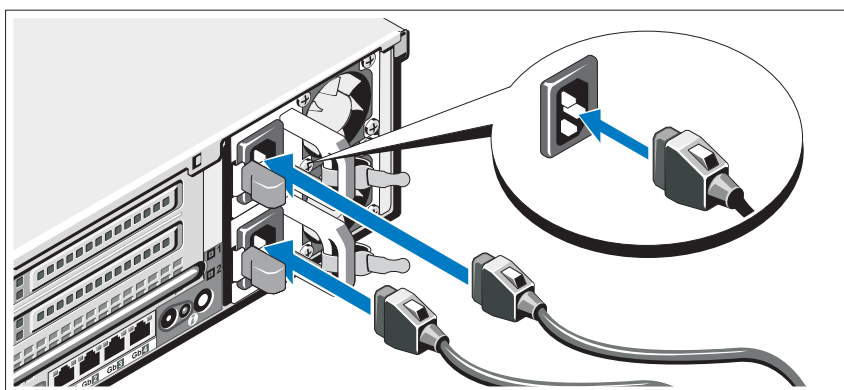
## オプション-キーボード、マウス、モニターの接続



キーボード、マウス、モニター（オプション）を接続します。

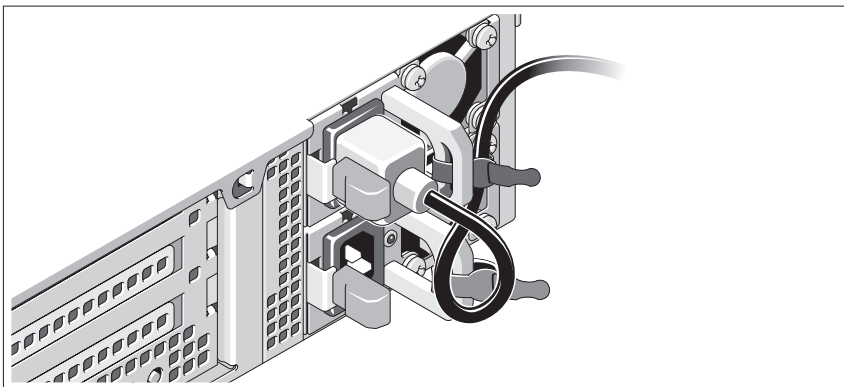
システム背面のコネクタには、どのケーブルを各コネクタに接続するかを示すアイコンがあります。モニターのケーブルコネクタにネジがある場合は、必ず締めてください。

## 電源ケーブルの接続



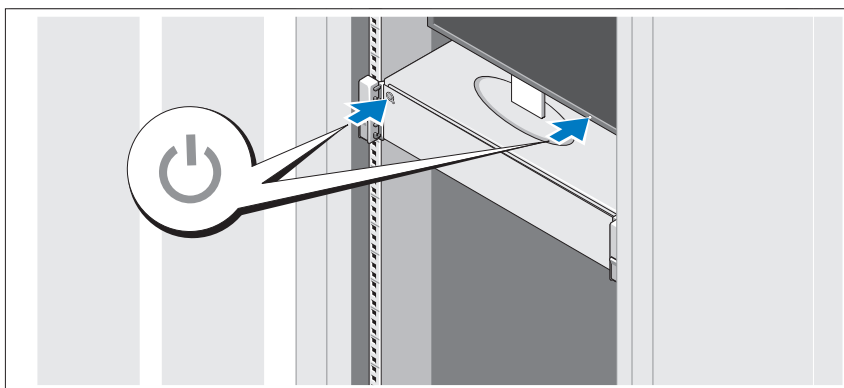
システムの電源ケーブルをシステムに接続し、モニターを使用する場合は、モニターの電源ケーブルをモニターに接続します。

## 電源ケーブルの固定



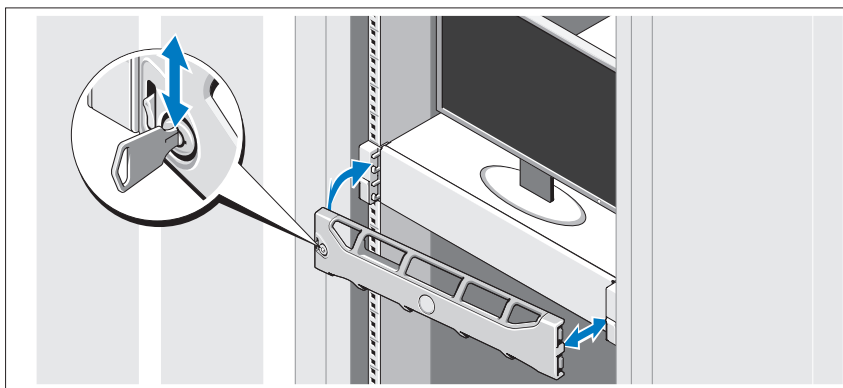
システムの電源ケーブルをループ状に曲げ（図を参照）、付属のストラップでブラケットに固定します。電源ケーブルのもう一方の端をアースされた電源コンセントまたは UPS（無停電電源装置）や配電装置（PDU）などの電源に接続します。

## システムの電源投入



システムとモニターの電源ボタンを押します。電源インジケータが点灯します。

## ベゼル（オプション）の取り付け



ベゼル（オプション）を取り付けます。

## OS のセットアップの完了

システムに OS がプリインストールされている場合は、システムと同梱の OS のマニュアルを参照してください。OS を初めてインストールする場合は、お使いの OS のインストールと設定に関するマニュアルを参照してください。システムとは別途に購入したハードウェアやソフトウェアのインストールは、OS がインストール済みであることを確認してから行ってください。

## 対応 OS


- Microsoft® Windows Server® 2008 Standard/Enterprise/Datacenter (x64) Edition
- Microsoft Windows Server 2008 Standard/Enterprise (x86) Edition
- Microsoft Windows Server 2008 Standard/Enterprise (x86) Edition With SP2
- Microsoft Windows Server 2008 Standard/Enterprise/Datacenter (x64) Edition With SP2
- Microsoft Windows Server 2008 R2 Standard/Enterprise/Datacenter (x64) Edition With SP2

- Microsoft Windows HPC Server 2008 (x64)
- Microsoft Windows HPC Server 2008 (x64) With SP2
- Microsoft Windows HPC Server 2008 R2 (x64) With SP2
- Microsoft Windows Server 2003 R2 Standard/Enterprise (x86) Edition
- Microsoft Windows Server 2003 R2 Standard/Enterprise/Datacentre (x64) Edition
- Microsoft Windows Essential Business Server Standard/Premium (x64) Edition
- Microsoft Windows Essential Business Server Standard/Premium (x86) Edition
- Microsoft Hyper-V™ Server 2008
- Microsoft Hyper-V Server 2008 R2
- SUSE® Linux Enterprise Server 11 (x86\_64)
- SUSE Linux Enterprise Server 10 (x86\_64) With SP2
- SUSE Linux Enterprise Server 10 (x86\_64) With SP3
- Solaris® 10 (x86\_64) (利用可能時)
- Solaris 10 U7/U8 (x86\_64)
- VMware® vSphere® 4.0 アップデート 1
- Citrix® XenServer™ 6.0 (利用可能時)




**メモ**：対応 OS の最新情報については、[support.dell.com](http://support.dell.com) を参照してください。

## その他の情報

 **警告**：システムに付属のマニュアルで安全および認可機関に関する情報を参照してください。保証情報は、このマニュアルに含まれている場合と、別の文書として付属する場合があります。

- ラックソリューションに付属のマニュアルでは、システムをラックに取り付ける方法について説明しています。
- 『ハードウェアオーナーズマニュアル』では、システムの機能、トラブルシューティングの方法、およびコンポーネントの取り付け方や交換方法について説明しています。この文書は **support.dell.com/manuals** からオンラインで入手できます。
- システムに付属のメディアには、OS、システム管理ソフトウェア、システムアップデート、およびシステムと同時に購入したシステムコンポーネントに関するものを含め、システムの設定と管理用のマニュアルとツールが収録されています。

 **メモ**：アップデートには他の文書の内容を差し替える情報が含まれている場合がよくありますので、**support.dell.com/manuals** でアップデートがないかどうかを常に確認し、初めにお読みください。

## テクニカルサポートの利用法

本書の手順が理解できない場合やシステムが思ったとおりに動作しない場合は、『ハードウェアオーナーズマニュアル』を参照してください。デルでは広範囲にわたるハードウェアのトレーニングと資格認証を実施しています。詳細については、**www.dell.com/training** を参照してください。このサービスが提供されていない地域もあります。

# 仕様

---

|              |                                    |
|--------------|------------------------------------|
| <b>プロセッサ</b> |                                    |
| プロセッサのタイプ    | AMD Opteron™ 6000 シリーズのプロセッサ 4 個まで |

---

|             |  |
|-------------|--|
| <b>拡張バス</b> |  |
| バスのタイプ      | PCI Express Gen 2  |
| 拡張スロット      | <b>ライザー 1</b><br>スロット 1: x8 リンクで x16 の物理コネクタ、9.5 インチ長、標準ハイト<br>スロット 2: x4 リンクで x8 の物理コネクタ、ロープロファイル、標準ハイトのブラケット付き<br><b>システム基板</b><br>スロット 3: x8 リンクで x8 の物理コネクタ、ロープロファイル<br>スロット 4: x8 リンクで x8 の物理コネクタ、ロープロファイル<br><b>ライザー 2</b><br>スロット 5: x8 リンクで x16 の物理コネクタ、9.5 インチ長、標準ハイト<br>スロット 6: x8 リンクで x16 の物理コネクタ、9.5 インチ長、標準ハイト |

---

|              |  |
|--------------|--|
| <b>メモリ</b>   |  |
| アーキテクチャ      | 1333 MHz DDR3 レジスタおよびレジスタなし ECC DIMM                                       |
| メモリモジュールソケット | 240 ピンソケット 32 個  |
| メモリモジュールの容量  | 1 GB、2 GB、4 GB、8 GB、または 16 GB (利用可能時) の RDIMM (容量に応じて、シングル、デュアル、またはクアドランク) |
| 最小 RAM       | 4 GB (各プロセッサに)   |
| 最大 RAM       | 512 GB (プロセッサ 4 個)   |

---

## ドライブ

---

|            |   |
|------------|---|
| ハードドライブ    | ホットスワップ対応の 2.5 インチ SAS、SATA、または SSD 内蔵ドライブ 6 台まで  |
| ディスクドライブ   | オプションの外付け USB 1.44 MB   |
| オプティカルドライブ | オプションのスリムライン SATA DVD-ROM または DVD+RW ドライブ 1 台<br><b>メモ</b> ：DVD デバイスはデータ専用。               |
| フラッシュドライブ  | オプションの内蔵 USB ドライブ<br>オプションの内蔵デュアル SD モジュール<br>オプションの vFlash カード (iDRAC6 Enterprise カード使用) |

---

## コネクタ

---

### 背面

|              |   |
|--------------|---|
| NIC          | RJ-45 (内蔵 1 GB NIC 用) 4 個                           |
| NIC (管理 NIC) | iDRAC6 Enterprise カード上にオプションの管理 NIC ポート 1 個         |
| シリアル         | 16550 互換 9 ピン DTE                                   |
| USB          | 4 ピン USB 2.0 対応コネクタ 4 個                             |
| ビデオ          | 15 ピン VGA   |
| vFlash       | iDRAC6 Enterprise カード上にオプションの vFlash メモリカードスロット 1 個 |

### 前面

|     |                         |
|-----|-------------------------|
| ビデオ | 15 ピン VGA               |
| USB | 4 ピン USB 2.0 対応コネクタ 2 個 |

### 内蔵

|     |                         |
|-----|-------------------------|
| USB | 4 ピン USB 2.0 対応コネクタ 1 個 |
| SD  | オプションの内蔵 SD モジュール 2 個   |



---

## ビデオ

---

|         |                             |
|---------|-----------------------------|
| ビデオのタイプ | 内蔵 Matrox G200 (iDRAC6 使用)  |
| ビデオメモリ  | 8 MB (iDRAC アプリケーションメモリと共有) |

---

## 電源

---

### AC 電源ユニット

|        |  |
|--------|--|
| ワット数   | 1100 W   |
| 電圧     | 100 ~ 240 VAC、50/60 Hz、オートレンジ  |
| 熱消費    | 4012 BTU / 時   |
| 最大流入電流 | 通常のラインコンディションのもと、システムの動作環境全範囲で、電源ユニット 1 台につき 10 ミリ秒以下で 55 A の入電量を許容できます。 |

### バッテリー

|           |                             |
|-----------|-----------------------------|
| システムバッテリー | 3.0 V コイン型リチウムバッテリー CR 2032 |
|-----------|-----------------------------|

---

## サイズと重量

---

|           |   |
|-----------|---|
| 縦幅        | 8.64 cm                                 |
| 横幅        | 44.05 cm (ベゼルを含まず)<br>48.24 cm (ベゼルを含む) |
| 奥行き       | 72.06 cm (ベゼルを含まず)<br>75.56 cm (ベゼルを含む) |
| 重量 (最大構成) | 26.1 kg                                 |
| 重量 (空の状態) | 21.15 kg                                |

---

## 環境

---

**メモ**：特定のシステム構成でのその他の環境条件の詳細については、[www.dell.com/environmental\\_datasheets](http://www.dell.com/environmental_datasheets) を参照してください。

### 温度

|     |  |
|-----|--|
| 動作時 | 1 時間あたり最大 10° C の温度変化で<br>10 ~ 35° C<br><b>メモ</b> ：高度が 900 m を超えると、動作時の許容<br>最大温度は、168 m ごとに 1° F ずつ低下します。 |
| 保管時 | 1 時間あたり最大 20° C の温度変化で<br>-40 ~ 65° C  |

### 相対湿度

|     |  |
|-----|--|
| 動作時 | 1 時間あたり最大 10 パーセントの湿度変化で<br>20 ~ 80 パーセント（結露しないこと） |
| 保管時 | 5 ~ 95 パーセント（結露しないこと）                              |

### 最大耐久震度

|     |                              |
|-----|------------------------------|
| 動作時 | 15 分間にわたり 5-350 Hz で 0.26 G  |
| 保管時 | 15 分間にわたり 10-250 Hz で 1.54 G |

### 最大耐久衝撃

|     |   |
|-----|---|
| 動作時 | z 軸の正方向に 2.6 ミリ秒で 31 G の 1 衝撃<br>パルス（システムの各面に対して 1 パルス）             |
| 保管時 | x、y、z 軸の正および負方向に 6 連続衝撃パ<br>ルス（システムの各面に対して 1 パルス）、<br>2 ミリ秒以下で 71 G |

### 高度

|     |   |
|-----|---|
| 動作時 | -16 ~ 3,048 m<br><b>メモ</b> ：高度が 900 m を超えると、動作時の許容<br>最大温度は、168 m ごとに 1° F ずつ低下します。 |
| 保管時 | -16 ~ 10,600 m  |

### 空気汚染物質レベル

|     |  |
|-----|--|
| クラス | G2 またはそれ未満（ISA-571.04-1985 の定義<br>による） |
|-----|--|

Dell™ PowerEdge™  
R815 시스템  
시스템 시작하기

규정 모델 E05S 시리즈



## 주, 주의 및 경고



**주:** 주는 컴퓨터를 보다 효율적으로 사용하는 데 도움을 주는 중요 정보를 제공합니다.



**주의:** 주의는 지침을 준수하지 않을 경우의 하드웨어 손상이나 데이터 손실 위험을 설명합니다.



**경고:** 경고는 재산상의 피해나 심각한 부상 또는 사망을 유발할 수 있는 위험이 있음을 알려줍니다.

---

**이 문서의 정보는 사전 통보 없이 변경될 수 있습니다.**

© 2009 Dell Inc. 저작권 본사 소유.

Dell Inc.의 서면 승인 없이 어떠한 방식으로든 본 자료를 무단 복제하는 행위는 엄격히 금지됩니다.

본 설명서에 사용된 상표인 *Dell*, *DELL* 로고 및 *PowerEdge*는 Dell Inc.의 상표입니다. *AMD*, *AMD Opteron* 및 조함은 Advanced Micro Devices, Inc.의 상표입니다. *Microsoft*, *Hyper-V*, *Windows* 및 *Windows Server*는 미국 및/또는 기타 국가에서 Microsoft Corporation의 상표 또는 등록 상표입니다. *SUSE*는 미국 및 기타 국가에서 Novell, Inc.의 등록 상표입니다. *VMware*는 미국 및/또는 기타 관할 지역에서 VMware, Inc.의 등록 상표입니다. *Citrix* 및 *XenServer*는 Citrix Systems, Inc. 및/또는 해당 자회사의 상표이며 미국 특허청 및 기타 국가의 특허 기관에 등록된 것일 수 있습니다.

본 문서에서 특정 회사의 표시나 제품 이름을 지칭하기 위해 기타 상표나 상호를 사용할 수도 있습니다. Dell Inc.는 자사가 소유하고 있는 것 이외에 기타 모든 상표 및 상호에 대한 어떠한 소유권도 없습니다.

규정 모델 E05S 시리즈

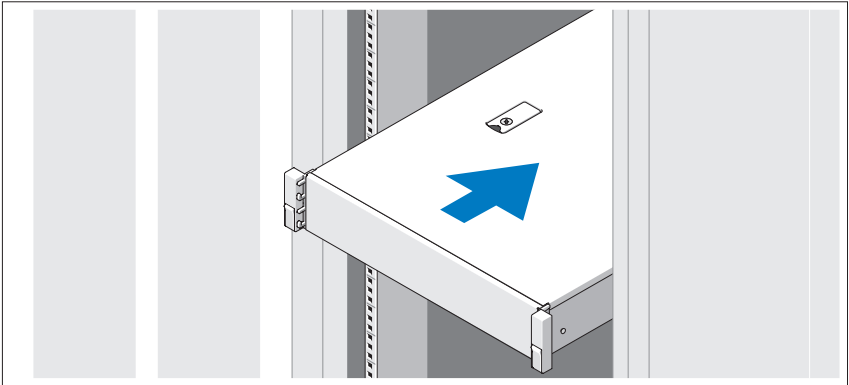
2009년 11월 P/N HC3PJ Rev. A00

## 설치 및 구성

**⚠ 경고 :** 다음 절차를 수행하기 전에 시스템과 함께 제공되는 안전 지침을 검토하십시오.

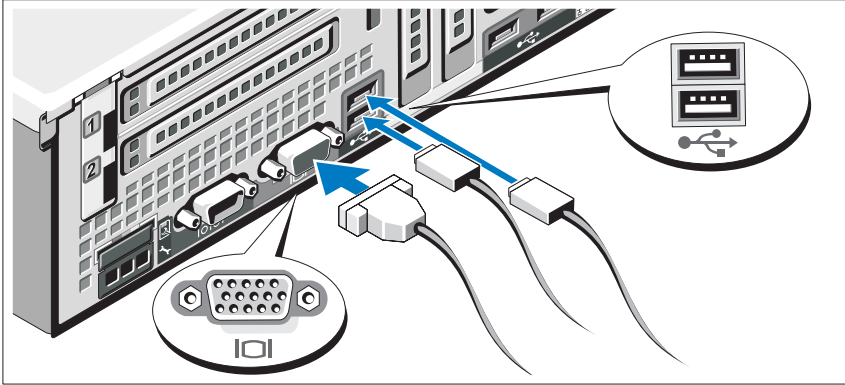
### 시스템 포장 풀기

시스템 포장을 풀고 각 항목을 확인합니다.



시스템과 함께 제공되는 안전 지침 및 랙 설치 지침에 따라 레일을 조립하고 시스템을 랙에 설치합니다.

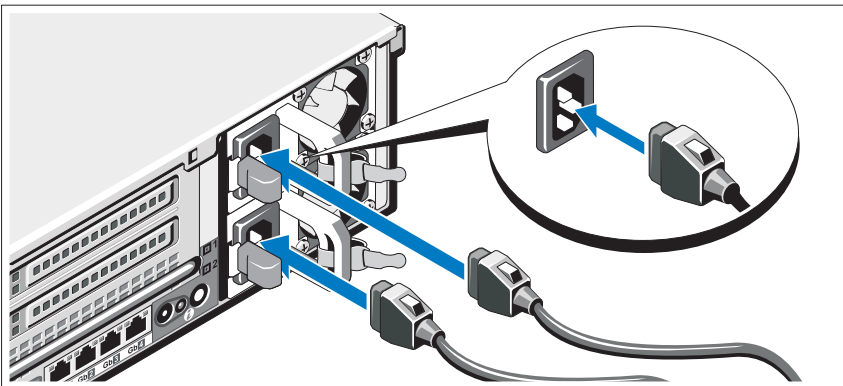
## 선택 사양 - 키보드, 마우스 및 모니터 연결



키보드, 마우스 및 모니터(선택 사양)를 연결합니다.

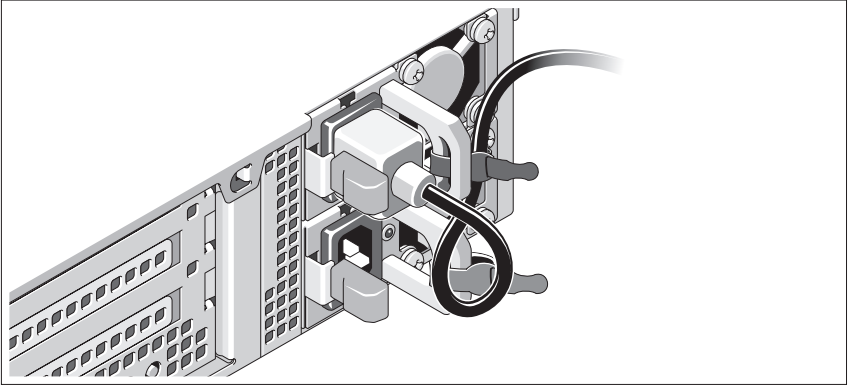
시스템 후면에 있는 커넥터에는 각 커넥터에 연결될 케이블이 표시된 아이콘이 있습니다. 모니터의 케이블 커넥터에 있는 나사(해당하는 경우)를 단단히 고정하십시오.

## 전원 케이블 연결



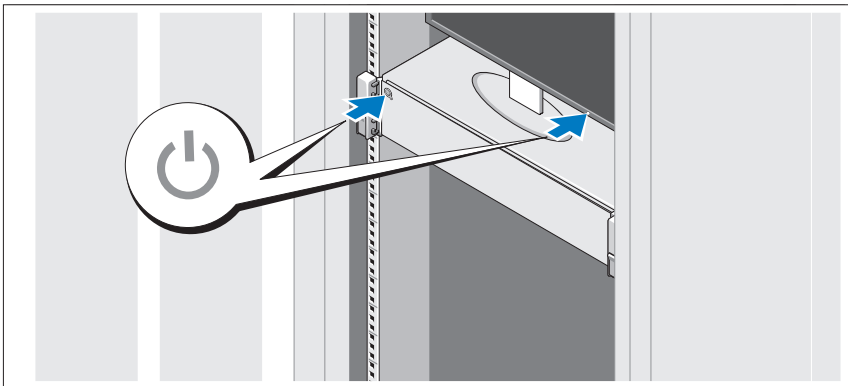
시스템의 전원 케이블을 시스템에 연결하고, 모니터를 사용하는 경우 모니터의 전원 케이블을 모니터에 연결합니다.

## 전원 케이블 고정



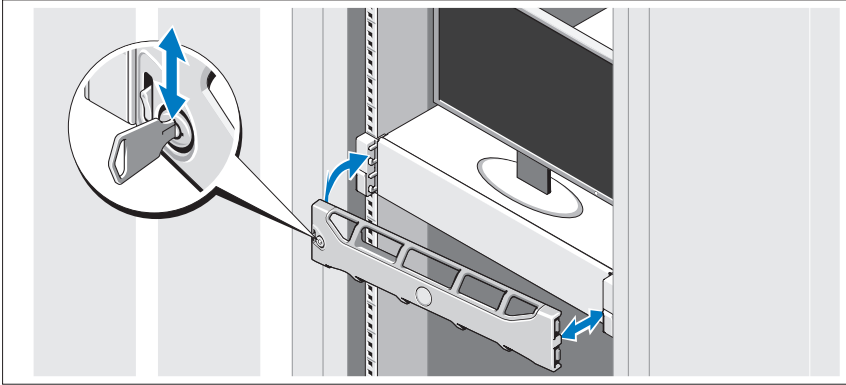
시스템 전원 케이블을 그림에 표시된 대로 루프 모양으로 구부리고 제공된 스트랩을 사용하여 브래킷에 케이블을 고정시킵니다. 전원 케이블의 반대쪽 끝을 접지된 전원 콘센트나, 무정전 전원 공급 장치(UPS) 또는 배전 장치(PDU)와 같은 별도의 전원에 연결합니다.

## 시스템 켜기



시스템과 모니터의 전원 단추를 누릅니다. 전원 표시등이 켜집니다.

## 베젤 ( 선택 사양 ) 설치



베젤(선택 사양)을 설치합니다.

## 운영 체제 설치 완료

시스템 구입 시 운영 체제가 미리 설치되어 있는 경우 시스템과 함께 제공되는 운영 체제 설명서를 참조하십시오. 운영 체제를 처음 설치하려면 운영 체제 설치 및 구성 설명서를 참조하십시오. 시스템과 함께 구입하지 않은 하드웨어 또는 소프트웨어를 설치하기 전에 운영 체제가 설치되어 있는지 확인하십시오.

## 지원되는 운영 체제

- Microsoft® Windows Server® 2008 Standard, Enterprise 및 Datacenter(x64) Edition
- Microsoft Windows Server 2008 Standard 및 Enterprise(x86) Edition
- Microsoft Windows Server 2008 Standard 및 Enterprise(x86) Edition SP2
- Microsoft Windows Server 2008 Standard, Enterprise 및 Datacenter(x64) Edition SP2
- Microsoft Windows Server 2008 R2 Standard, Enterprise 및 Datacenter(x64) Edition SP2
- Microsoft Windows HPC Server 2008(x64)




- Microsoft Windows HPC Server 2008(x64) SP2
- Microsoft Windows HPC Server 2008 R2(x64) SP2
- Microsoft Windows Server 2003 R2 Standard 및 Enterprise(x86) Edition
- Microsoft Windows Server 2003 R2 Standard, Enterprise 및 Datacenter(x64) Edition
- Microsoft Windows Essential Business Server Standard 및 Premium(x64) Edition
- Microsoft Windows Essential Business Server Standard 및 Premium(x86) Edition
- Microsoft Hyper-V™ Server 2008
- Microsoft Hyper-V Server 2008 R2
- SUSE® Linux Enterprise Server 11(x86\_64)
- SUSE Linux Enterprise Server 10(x86\_64) SP2
- SUSE Linux Enterprise Server 10(x86\_64) SP3
- Solaris® 10(x86\_64)(가능한 경우)
- Solaris 10 U7/U8(x86\_64)
- VMware® vSphere® 4.0 업데이트 1
- Citrix® XenServer™ 6.0(사용 가능한 경우)




**주:** 지원되는 운영 체제에 대한 최신 정보는 [support.dell.com](http://support.dell.com)을 참조하십시오.

## 기타 필요한 정보

 **경고** : 시스템과 함께 제공되는 안전 및 규제 정보를 참조하십시오. 보증 정보는 이 문서에 포함되거나 별도의 문서로 제공될 수 있습니다.

- 랙 솔루션과 함께 제공되는 랙 설명서에는 시스템을 랙에 설치하는 방법이 기술되어 있습니다.
- *하드웨어 소유자 매뉴얼*에서는 시스템 기능에 대한 정보를 제공하고 시스템 문제 해결 방법 및 시스템 구성요소 설치 또는 교체 방법을 설명합니다. 이 문서는 [support.dell.com/manuals](http://support.dell.com/manuals)에서 온라인으로 볼 수 있습니다.
- 운영 체제, 시스템 관리 소프트웨어, 시스템 업데이트 및 시스템과 함께 구입한 시스템 구성요소와 관련된 설명서 및 도구를 비롯하여 시스템을 구성 및 관리하는 데 필요한 설명서 및 도구를 제공하는 모든 매체가 시스템과 함께 제공됩니다.

 **주**: 새로운 업데이트가 있는지 [support.dell.com/manuals](http://support.dell.com/manuals)에서 항상 확인하십시오. 업데이트에는 최신 정보가 수록되어 있으므로 다른 문서를 읽기 전에 반드시 먼저 참조하시기 바랍니다.

## 기술 지원 얻기

본 안내서의 절차가 잘 이해되지 않거나 시스템이 제대로 작동하지 않을 경우 *하드웨어 소유자 매뉴얼*을 참조하십시오. Dell™은 포괄적인 하드웨어 교육 및 인증을 제공합니다. 자세한 내용은 [www.dell.com/training](http://www.dell.com/training)을 참조하십시오. 지역에 따라 이 서비스가 제공되지 않을 수도 있습니다.

# 기술 사양

---

|              |  |
|--------------|--|
| <b>프로세서</b>  |  |
| 프로세서 종류      | 최대 4개의 AMD Opteron™ 6000 시리즈 프로세서  |
| <b>확장 버스</b> |  |
| 버스 종류        | PCI Express Generation 2   |
| 확장 슬롯        | <b>라이저 1</b><br>슬롯 1: x16 물리적 커넥터가 있는 x8 링크, 9.5인치 길이, 표준 높이<br>슬롯 2: x8 물리적 커넥터가 있는 x4 링크, 표준 높이 브래킷이 있는 로우 프로파일<br><b>시스템 보드</b><br>슬롯 3: x8 물리적 커넥터가 있는 x8 링크, 로우 프로파일<br>슬롯 4: x8 물리적 커넥터가 있는 x8 링크, 로우 프로파일<br><b>라이저 2</b><br>슬롯 5: x16 물리적 커넥터가 있는 x8 링크, 9.5인치 길이, 표준 높이<br>슬롯 6: x16 물리적 커넥터가 있는 x8 링크, 9.5인치 길이, 표준 높이 |
| <b>메모리</b>   |  |
| 아키텍처         | 1333 MHz DDR3 레지스터 및 비레지스터 ECC DIMM  |
| 메모리 모듈 소켓    | 240핀 32개   |
| 메모리 모듈 용량    | 1 GB, 2 GB, 4 GB, 8 GB 또는 16 GB (가능한 경우) RDIMM (용량에 따라 단일, 이중 또는 4중 등급)  |
| 최소 RAM       | 4 GB (프로세서당)   |
| 최대 RAM       | 512 GB (프로세서 4개 사용)  |

---

## 드라이브

---

|          |  |
|----------|--|
| 하드 드라이브  | 최대 6개의 2.5인치 내부 핫 스왑 가능 SAS, SATA 또는 SSD 드라이브                                      |
| 디스켓 드라이브 | 외부 USB 1.44 MB (선택 사양)   |
| 광학 드라이브  | 슬림라인 SATA DVD-ROM 또는 DVD+RW 드라이브(선택 사양) 1개<br><b>주:</b> DVD 장치는 데이터 전용입니다.         |
| 플래시 드라이브 | 내부 USB (선택 사양)<br>내부 이중 SD 모듈(선택 사양)<br>iDRAC6 Enterprise 카드가 있는 vFlash 카드 (선택 사양) |

---

## 커넥터

---

### 후면

|                     |  |
|---------------------|--|
| NIC                 | RJ-45(내장형 1GB NIC용) 4개                               |
| NIC(Management NIC) | iDRAC6 Enterprise 카드에 있는 Management NIC 포트(선택 사양) 1개 |
| 직렬                  | 9핀, DTE, 16550 호환                                    |
| USB                 | 4핀 4개, USB 2.0 호환                                    |
| 비디오                 | 15핀 VGA  |
| vFlash              | iDRAC6 Enterprise 카드에 있는 vFlash 메모리 카드 슬롯(선택 사양) 1개  |

### 전면

|     |                   |
|-----|-------------------|
| 비디오 | 15핀 VGA           |
| USB | 4핀 2개, USB 2.0 호환 |

### 내부

|     |                    |
|-----|--------------------|
| USB | 4핀 1개, USB 2.0 호환  |
| SD  | 내부 SD 모듈(선택 사양) 2개 |

---

## 비디오

---

|         |                             |
|---------|-----------------------------|
| 비디오 종류  | iDRAC6을 포함한 내장형 Matrox G200 |
| 비디오 메모리 | 8 MB (iDRAC 응용프로그램 메모리와 공유) |

---

## 전원

---

### AC 전원 공급 장치

|          |  |
|----------|--|
| 와트       | 1100 W   |
| 전압       | 100-240 VAC, 50/60 Hz, 자동 범위 설정  |
| 열 손실     | 4012 BTU/Hr  |
| 최대 유입 전류 | 일반적인 라인 상태 및 전체 시스템의 주변 작동 범위에서는 유입 전류가 10ms 이하인 동안 전원 공급 장치마다 55A에 달할 수 있습니다. |

### 전지

|        |                      |
|--------|----------------------|
| 시스템 전지 | CR 2032 3.0V 리튬 코인 셀 |
|--------|----------------------|

---

## 규격

---

|              |  |
|--------------|--|
| 높이           | 8.64 cm (3.40인치)   |
| 폭            | 44.05 cm (17.34인치) - 베젤 제외<br>48.24 cm (18.99인치) - 베젤 포함 |
| 깊이           | 72.06 cm (28.37인치) - 베젤 제외<br>75.56 cm (29.75인치) - 베젤 포함 |
| 무게(최대 구성 시)  | 26.1 kg (57.54 lb)                                       |
| 무게(비어 있을 경우) | 21.15 kg (46.64 lb)                                      |

---

## 환경적 특성

---

**주:** 특정 시스템 구성을 위한 환경 측정에 대한 자세한 내용은 [www.dell.com/environmental\\_datasheets](http://www.dell.com/environmental_datasheets)를 참조하십시오.

### 온도

작동 10° ~ 35° C (50° ~ 95° F), 시간당 최고 10° C의 온도 변화 기준

**주:** 2,950피트 이상의 고도에서는 최대 작동 온도가 1° F/550ft로 감소됩니다.

보관 -40° ~ 65° C (-40° ~ 149° F) 시간당 최고 20° C의 온도 변화 기준

### 상대 습도

작동 20% ~ 80%(비응축), 시간당 최고 10%의 습도 변화 기준

보관 5% ~ 95% (비응축)

### 최대 진동

작동 5 ~ 350 Hz에서 15분 동안 0.26 G

보관 10 ~ 250 Hz에서 15분 동안 1.54 G

### 최대 충격

작동 방향으로 2.6 ms 동안 (+) z축으로 31 G의 충격 펄스 1회(시스템 각 면에 1회의 펄스)

보관 최대 2 ms 동안 (+/-) x, y, z축으로 71 G의 연속 충격 펄스 6회(시스템 각 면에 1회의 펄스)

### 고도

작동 -16 ~ 3,048 m (-50 ~ 10,000 ft)

**주:** 2,950피트 이상의 고도에서 최대 작동 온도는 1° F/550ft로 감소됩니다.

보관 -16 ~ 10,600 m (-50 ~ 35,000 ft)

### 공기 중 오염 물질 수준

등급 ISA-S71.04-1985의 규정에 따른 G2 이하